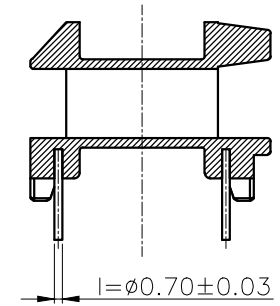
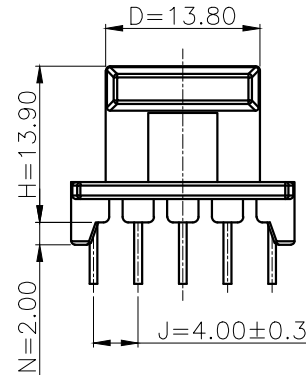
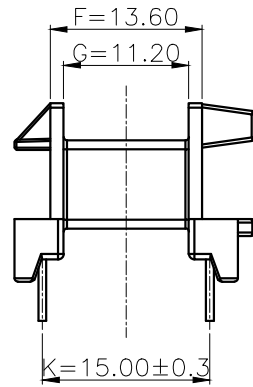
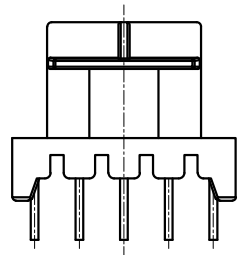
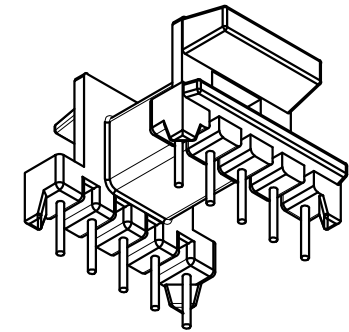
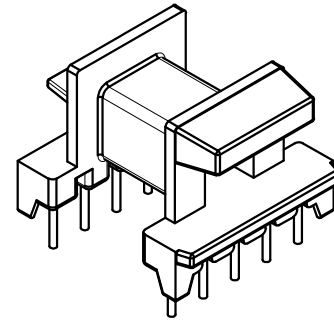
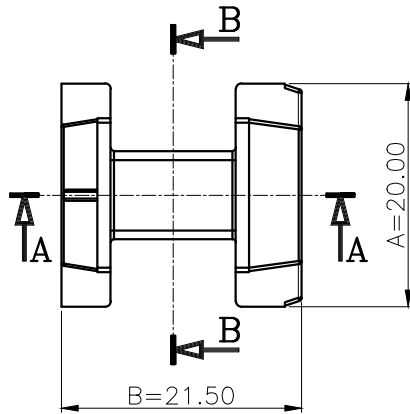
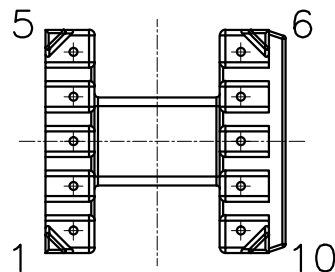


SECTION B-B



SECTION A-A



MARK		REVISION NOTE		DATE	DRAWN	CHECKED	APPROVED
DRAWN	CHECKED	APPROVED	MATERIAL : PHENOL	UL REC. : UL94V-0	THIRD ANGLE PROJ.	SCALE : 1/1	
S H, Kim	G Y, Lim	J B, Lim		DATE : 2011.05.26	TOLERANCE : ±0.2 (Unless otherwise specified)	UNIT : m/m	
주식회사 대흥보빈 DAE HEUNG BOBBIN CO., LTD.			TITLE EE 20*20 (10P) "H" (D)		DWG NO DH-110616-2016-17		